

## Specifications

Current rating: 5A AC,DC  
 Voltage rating: 250V AC,DC  
 Temperature range:  $-40^{\circ}\text{C} \sim +105^{\circ}\text{C}$   
 Contact resistance: 20m $\Omega$  Max.  
 Insulation resistance: 1000M $\Omega$  Min.  
 Withstanding voltage: 1500V AC/minute  
 \*Contact E.N for Details\*

## Standards



E473953

## Ordering code

C3030M - I B  
 ① ② ③ ④

- ① Series No.
- ② M:Male
- ③ Plating code: T=Tin-plated, G=Gold-flash
- ④ Material: B=Brass

C3030F - I B  
 ① ② ③ ④

- ① Series No.
- ② F:Female
- ③ Plating code: T=Tin-plated, G=Gold-flash
- ④ Material: B=Brass

C3030 HF - NP  
 ① ② ③

- ① Series No.
- ② HF=Receptacle
- ③ No. of circuits

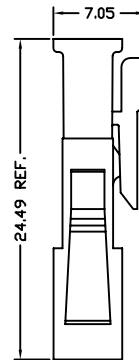
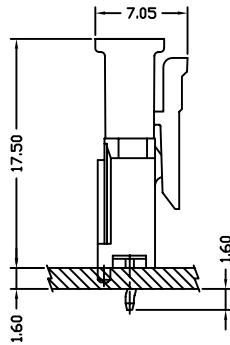
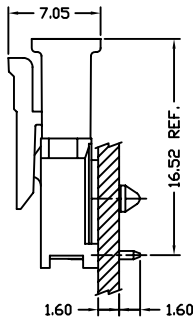
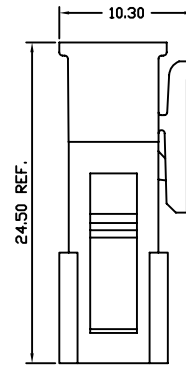
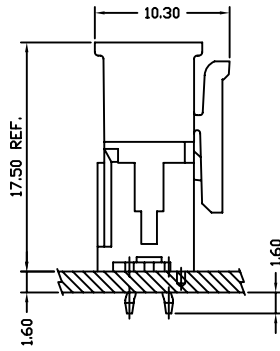
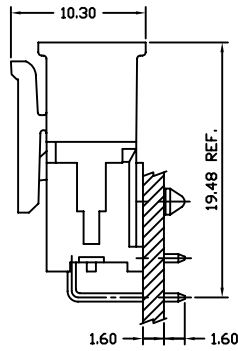
C3030 HM - NP  
 ① ② ③

- ① Series No.
- ② HM=Plug
- ③ No. of circuits

C3030 WV 2X - NP  
 ① ② ③ ④

- ① Series No.
- ② Connector type: WV=Vertical, WR=Right angle
- ③ Blank=Single Row,2X=Dual Row
- ④ No. of circuits

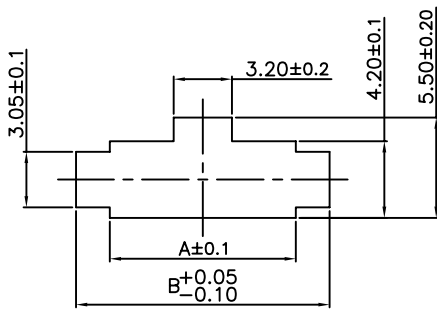
## Assembly layout



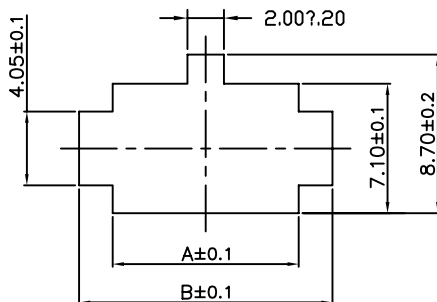
WIRE TO BOARD TYPE

WIRE TO WIRE TYPE

## Panel Hole layout



SINGLE ROW



DUAL ROW

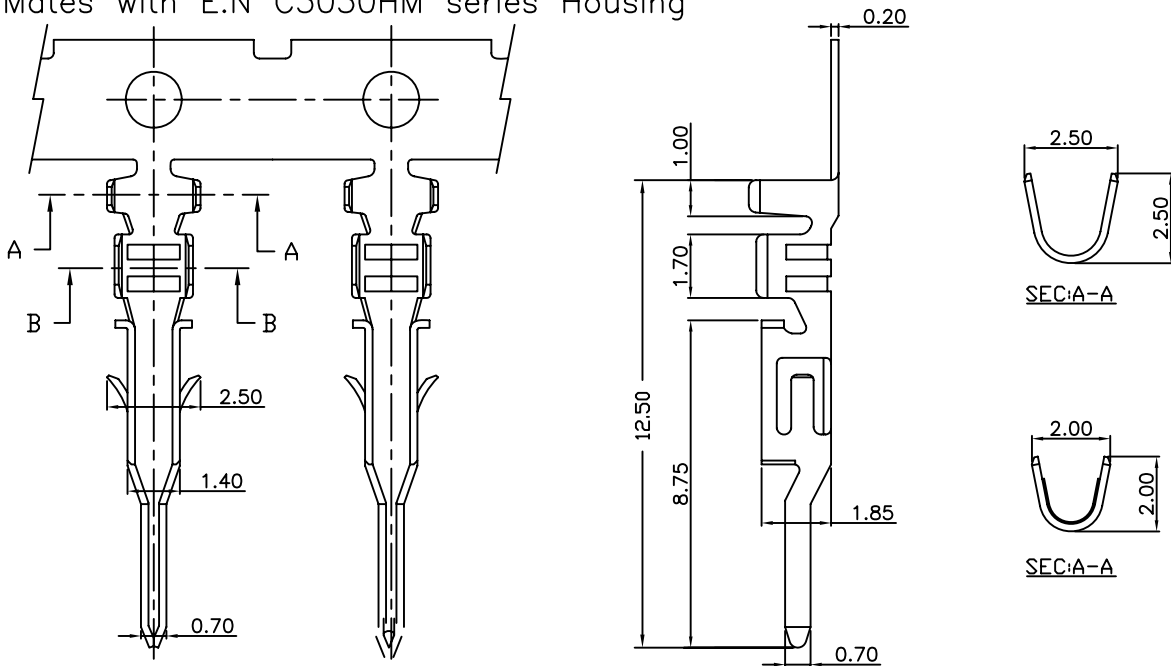
PART NO.		Dimensions	
SINGLE ROW	DUAL ROW	A	B
----	C3030HM-2X01P	4.20	7.90
C3030HM-02P	C3030HM-2X02P	7.20	10.90
C3030HM-03P	C3030HM-2X03P	10.20	13.90
C3030HM-04P	C3030HM-2X04P	13.20	16.90
C3030HM-05P	C3030HM-2X05P	16.20	19.90
C3030HM-06P	C3030HM-2X06P	19.20	22.90
C3030HM-07P	C3030HM-2X07P	22.20	25.90
C3030HM-08P	C3030HM-2X08P	25.20	28.90
C3030HM-09P	C3030HM-2X09P	28.20	31.90
C3030HM-10P	C3030HM-2X10P	31.20	34.90
C3030HM-11P	C3030HM-2X01P	34.20	37.90
C3030HM-12P	C3030HM-2X01P	37.20	40.90

Unit: mm

## C3030M-T — 3.00mm pitch Crimp Terminal

### Reference Informations:

\*Mates with E.N C3030HM series Housing



### Ordering Information & Specifications

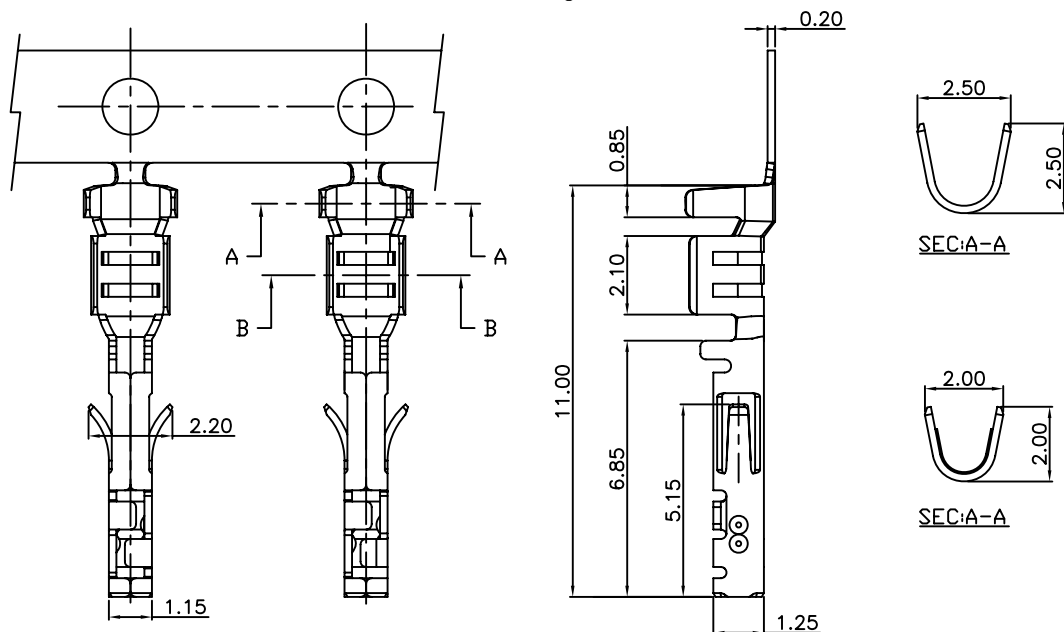
Unit: mm

Part No	Wire Range	Insulation O.D.	Material	Finish	Qty/reel
C3030M-TP	AWG#20-#24	1.85mm(max)	Phosphor Bronze	Tin-plated	10,000pcs
C3030M-TG	AWG#20-#24	1.85mm(max)	Phosphor Bronze	Gold-plated	10,000pcs

## C3030F-T — 3.00mm pitch Crimp Terminal

### Reference Informations:

\*Mates with E.N C3030HM series Housing



### Ordering Information & Specifications

Unit: mm

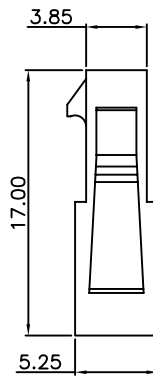
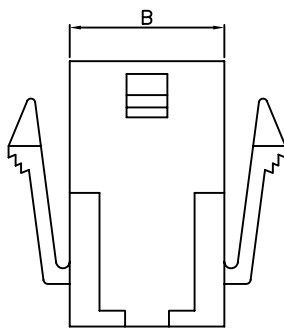
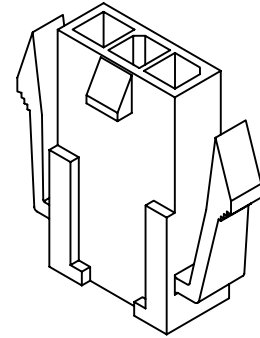
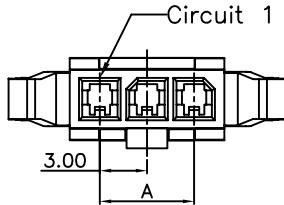
Part No	Wire Range	Insulation O.D.	Material	Finish	Qty/reel
C3030F-TP	AWG#20-#24	1.85mm(max)	Phosphor Bronze	Tin-plated	10,000pcs
C3030F-TG	AWG#20-#24	1.85mm(max)	Phosphor Bronze	Gold-plated	10,000pcs

## C3030HM

3.00mm pitch Housing

### Reference Informations:

- \*Material: Nylon 66,UL94V-0
- \*Suitable E.N C3030F series Terminal
- \*Mates with E.N C3030HF series Wafer



### Ordering Information & Dimensions

PART NO.	Dimensions	
	A	B
C3030HM-02P	3.00	7.00
C3030HM-03P	6.00	10.00
C3030HM-04P	9.00	13.00
C3030HM-05P	12.00	16.00
C3030HM-06P	15.00	19.00
C3030HM-07P	18.00	22.00
C3030HM-08P	21.00	25.00
C3030HM-09P	24.00	28.00
C3030HM-10P	27.00	31.00
C3030HM-11P	30.00	34.00
C3030HM-12P	33.00	37.00

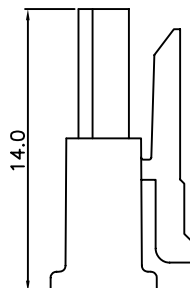
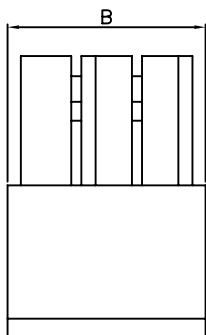
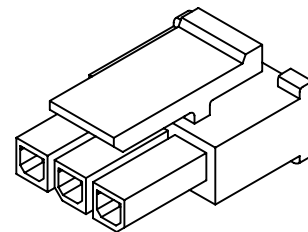
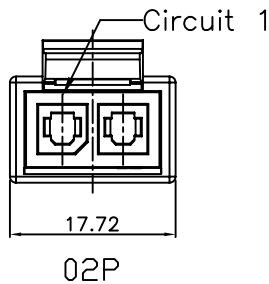
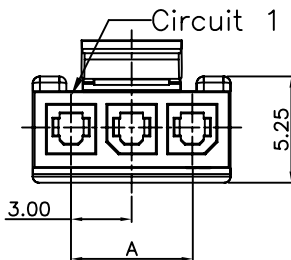
Unit: mm

## C3030HF

3.00mm pitch Housing

### Reference Informations:

- \*Material: Nylon 66,UL94V-0
- \*Suitable E.N C3030M series Terminal
- \*Mates with E.N C3030HM series Housing or Wafer



### Ordering Information & Dimensions

PART NO.	Dimensions	
	A	B
C3030HF-02P	3.00	6.85
C3030HF-03P	6.00	9.85
C3030HF-04P	9.00	12.85
C3030HF-05P	12.00	15.85
C3030HF-06P	15.00	18.85
C3030HF-07P	18.00	21.85
C3030HF-08P	21.00	24.85
C3030HF-09P	24.00	27.85
C3030HF-10P	27.00	30.85
C3030HF-11P	30.00	33.85
C3030HF-12P	33.00	36.85

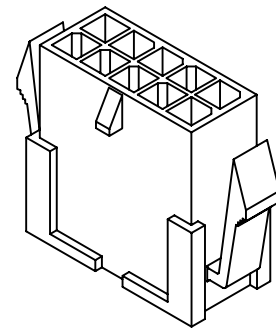
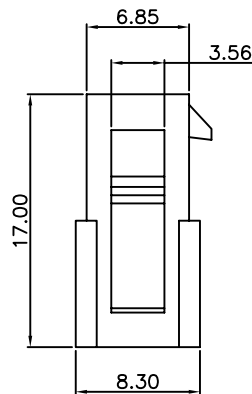
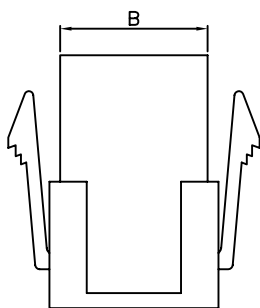
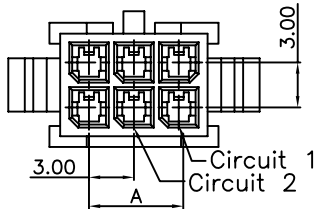
Unit: mm

## C3030HM-2X

3.00mm pitch Dual Row Housing

### Reference Informations:

- \*Material: Nylon 66,UL94V-0
- \*Suitable E.N C3030F series Terminal
- \*Mates with E.N C3030HF series Dual Row Housing



### Ordering Information & Dimensions

PART NO.	Dimensions	
	A	B
C3030HM-02X01P		4.00
C3030HM-02X02P	3.00	7.00
C3030HM-02X03P	6.00	10.00
C3030HM-02X04P	9.00	13.00
C3030HM-02X05P	12.00	16.00
C3030HM-02X06P	15.00	19.00
C3030HM-02X07P	18.00	22.00
C3030HM-02X08P	21.00	25.00
C3030HM-02X09P	24.00	28.00
C3030HM-02X10P	27.00	31.00
C3030HM-02X11P	30.00	34.00
C3030HM-02X12P	33.00	37.00

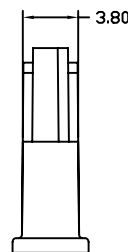
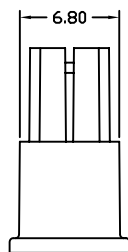
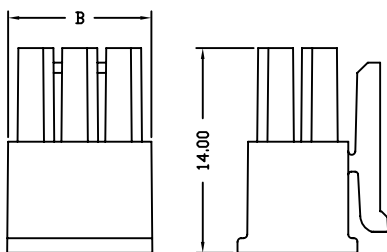
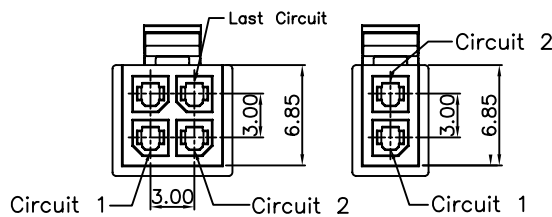
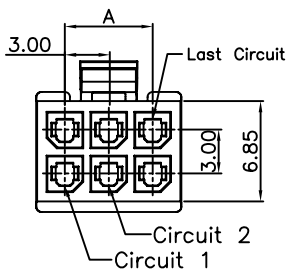
Unit: mm

## C3030HF-2XNP

3.00mm pitch Dual Row Housing

### Reference Informations:

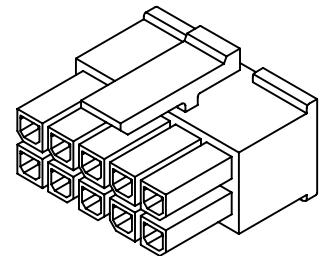
- \*Material: Nylon 66,UL94V-0
- \*Suitable E.N C3030M series Terminal
- \*Mates with E.N C3030HM series Dual Row Housing or Dua Row Wafer



2X03P~2X12P

2X02P

2X01P



### Ordering Information & Dimensions

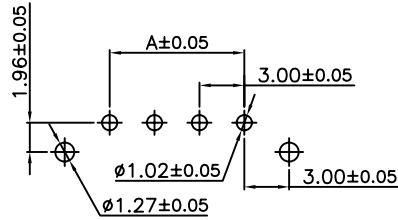
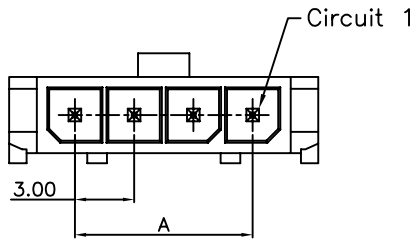
PART NO.	Dimensions	
	A	B
C3030HF-02X01P		3.85
C3030HF-02X02P	3.00	6.85
C3030HF-02X03P	6.00	9.85
C3030HF-02X04P	9.00	12.85
C3030HF-02X05P	12.00	15.85
C3030HF-02X06P	15.00	18.85
C3030HF-02X07P	18.00	21.85
C3030HF-02X08P	21.00	24.85
C3030HF-02X09P	24.00	27.85
C3030HF-02X10P	27.00	30.85
C3030HF-02X11P	30.00	33.85
C3030HF-02X12P	33.00	36.85

Unit: mm

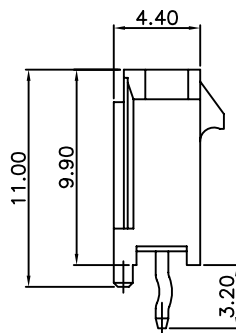
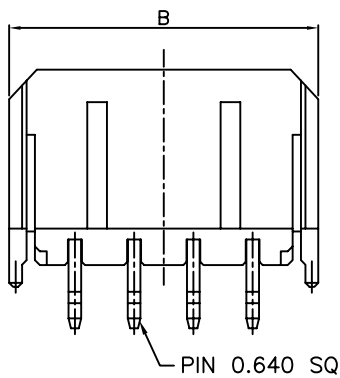
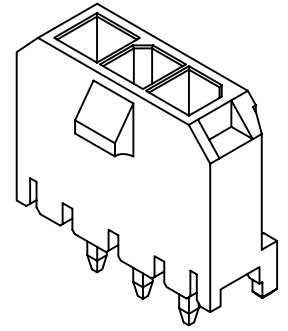
## C3030WV-F-NP — 3.00mm pitch 180° Wafer With Post

### Reference Informations:

- \*Material: Pin: Brass/Tin-plated  
Wafer:Nylon66,UL94V-0
- \*Mates with E.N C3030HF series Housing



P.C.B LAYOUT



### Ordering Information & Dimensions

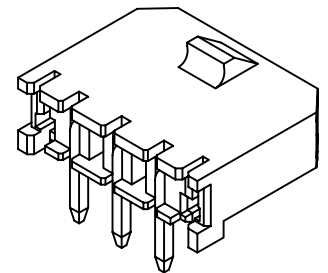
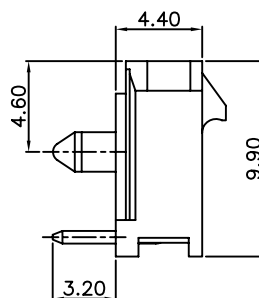
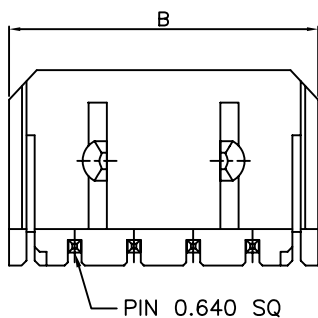
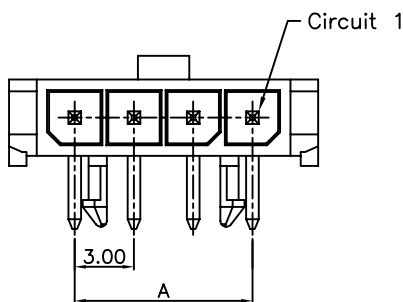
PART NO.	Dimensions	
	A	B
C3030WV-F-02P	3.00	9.65
C3030WV-F-03P	6.00	12.65
C3030WV-F-04P	9.00	15.65
C3030WV-F-05P	12.00	18.65
C3030WV-F-06P	15.00	21.65
C3030WV-F-07P	18.00	24.65
C3030WV-F-08P	21.00	27.65
C3030WV-F-09P	24.00	30.65
C3030WV-F-10P	27.00	33.65
C3030WV-F-11P	30.00	36.65
C3030WV-F-12P	33.00	39.65
C3030WV-F-13P	36.00	42.65

Unit: mm

## C3030WR-F-NP — 3.00mm pitch 90° Wafer With Post

### Reference Informations:

- \*Material: Pin: Brass/Tin-plated  
Wafer:Nylon66,UL94V-0
- \*Mates with E.N C3030HF series Housing



### Ordering Information & Dimensions

PART NO.	Dimensions	
	A	B
C3030WR-F-02P	3.00	9.65
C3030WR-F-03P	6.00	12.65
C3030WR-F-04P	9.00	15.65
C3030WR-F-05P	12.00	18.65
C3030WR-F-06P	15.00	21.65
C3030WR-F-07P	18.00	24.65
C3030WR-F-08P	21.00	27.65
C3030WR-F-09P	24.00	30.65
C3030WR-F-10P	27.00	33.65
C3030WR-F-11P	30.00	36.65
C3030WR-F-12P	33.00	39.65
C3030WR-F-13P	36.00	42.65

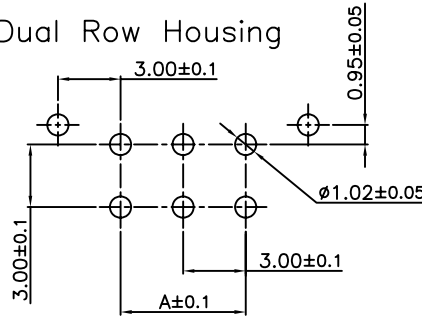
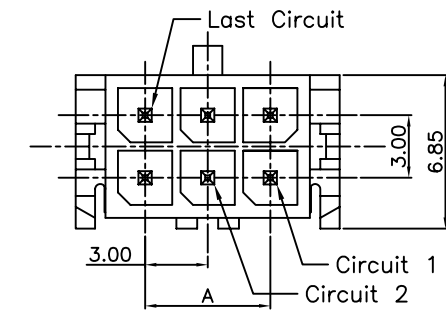
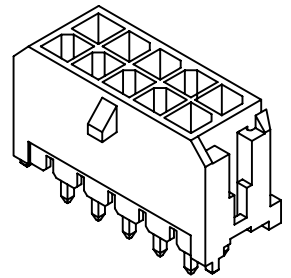
Unit: mm

## C3030WV-F-2X — 3.00mm pitch 180° Dual Row Wafer

### Reference Informations:

\*Material: Pin: Brass/Tin-plated  
Wafer: Nylon66, UL94V-0

\*Mates with E.N C3030HF series Dual Row Housing

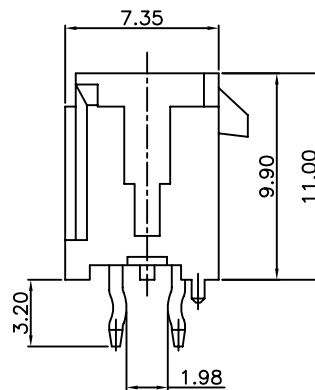
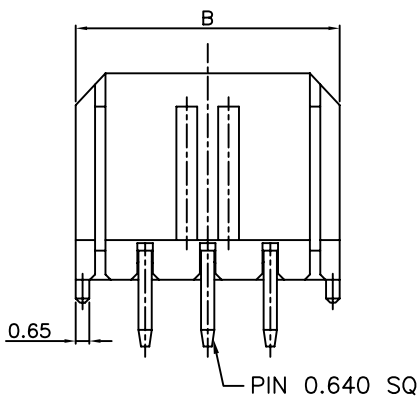


P.C.B LAYOUT

### Ordering Information & Dimensions

PART NO.	Dimensions	
	A	B
C3030WV-F-2X01P	6.00	9.65
C3030WV-F-2X02P	6.00	12.65
C3030WV-F-2X03P	9.00	15.65
C3030WV-F-2X04P	12.00	18.65
C3030WV-F-2X05P	15.00	21.65
C3030WV-F-2X06P	18.00	24.65
C3030WV-F-2X07P	21.00	27.65
C3030WV-F-2X08P	24.00	30.65
C3030WV-F-2X09P	27.00	33.65
C3030WV-F-2X10P	30.00	36.65
C3030WV-F-2X11P	33.00	39.65
C3030WV-F-2X12P	36.00	42.65

Unit: mm

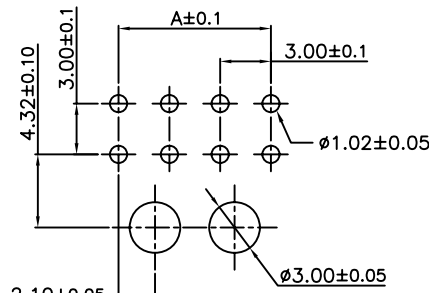
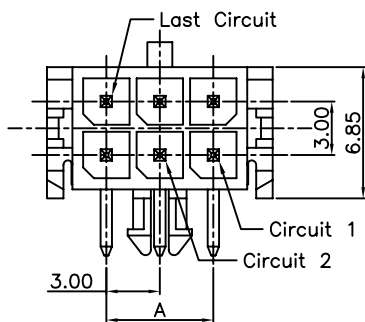
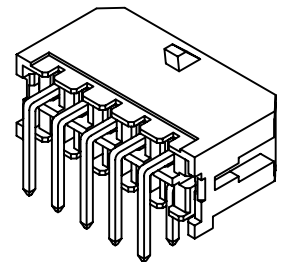


## C3030WR-F-2X — 3.00mm pitch 90° Dual Row Wafer

### Reference Informations:

\*Material: Pin: Brass/Tin-plated  
Wafer: Nylon66, UL94V-0

\*Mates with E.N C3030HF series Dual Row Housing



P.C.B LAYOUT

### Ordering Information & Dimensions

PART NO.	Dimensions	
	A	B
C3030WR-F-2X01P	6.00	9.65
C3030WR-F-2X02P	6.00	12.65
C3030WR-F-2X03P	9.00	15.65
C3030WR-F-2X04P	12.00	18.65
C3030WR-F-2X05P	15.00	21.65
C3030WR-F-2X06P	18.00	24.65
C3030WR-F-2X07P	21.00	27.65
C3030WR-F-2X08P	24.00	30.65
C3030WR-F-2X09P	27.00	33.65
C3030WR-F-2X10P	30.00	36.65
C3030WR-F-2X11P	33.00	39.65
C3030WR-F-2X12P	36.00	42.65

Unit: mm

