

## Specifications

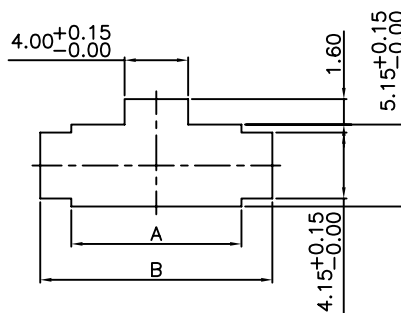
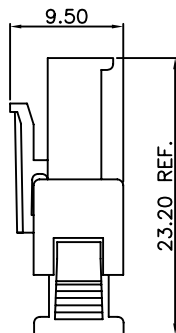
Current rating: 10A AC,DC  
 Voltage rating: 250V AC,DC  
 Temperature range: -40°C ~ +105°C  
 Contact resistance: 20mΩ Max.  
 Insulation resistance: 1000MΩ Min.  
 Withstanding voltage: 1500V AC/minute  
 \*Contact E.N for Details\*

## Standards



E473953

## Assembly layout



## Ordering code

C2005M - I B  
 ① ② ③ ④

- ① Series No.
- ② M:Male
- ③ Plating code: T=Tin-plated, G=Gold-flash
- ④ Material: B=Brass

C2005F - I B  
 ① ② ③ ④

- ① Series No.
- ② F:Female
- ③ Plating code: T=Tin-plated, G=Gold-flash
- ④ Material: B=Brass

C2005 HF - NP  
 ① ② ③

- ① Series No.
- ② HF=Receptacle
- ③ No. of circuits

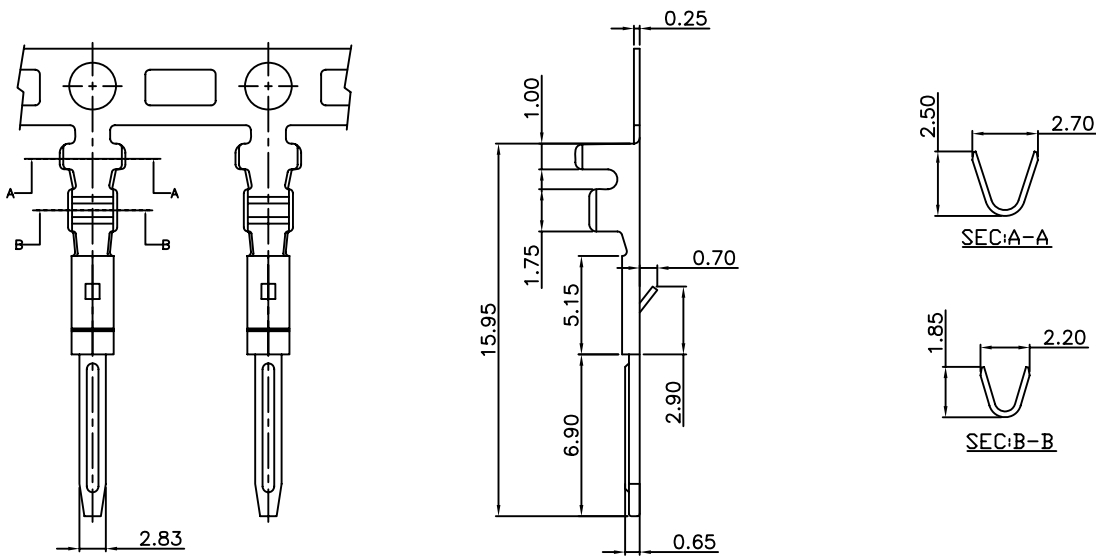
C2005 HM - NP  
 ① ② ③

- ① Series No.
- ② HM=Plug
- ③ No. of circuits

## C2505M-T — 2.50mm pitch Crimp Terminal

### Reference Informations:

\*Mates with E.N C2505HF series Housing



### Ordering Information & Specifications

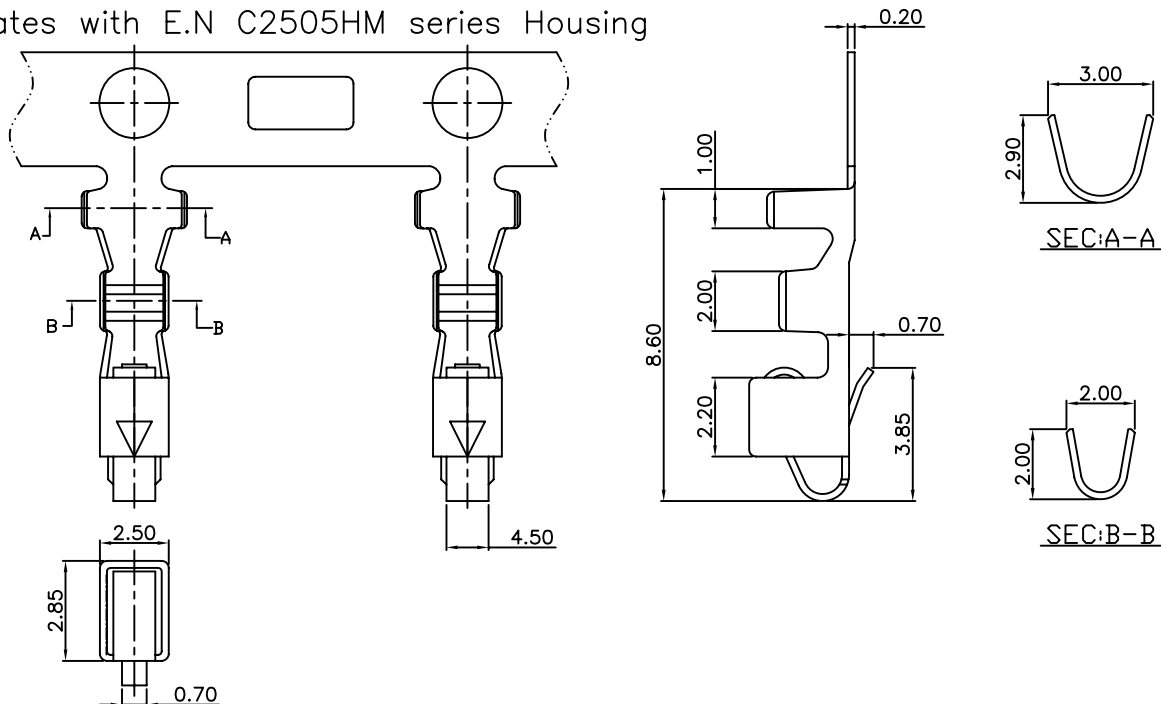
Unit: mm

Part No	Wire Range	Insulation O.D.	Material	Finish	Qty/reel
C2505M-TP	AWG#22-#28	1.80mm(max)	Brass	Tin-plated	9,000pcs

## C2505F-T — 2.50mm pitch Crimp Terminal

### Reference Informations:

\*Mates with E.N C2505HM series Housing



### Ordering Information & Specifications

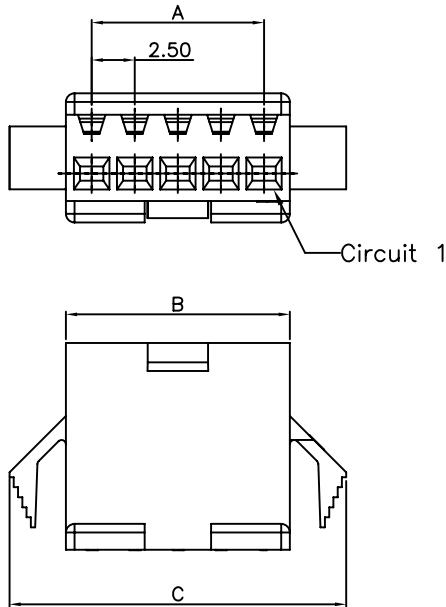
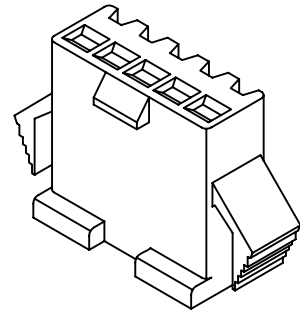
Unit: mm

Part No	Wire Range	Insulation O.D.	Material	Finish	Qty/reel
C2505F-TP	AWG#22-#28	1.80mm(max)	Brass	Tin-plated	5,000pcs

## C2505HF — 2.50mm pitch Housing

### Reference Informations:

- \*Material: Nylon 66,UL94V-0
- \*Suitable E.N C2505M Terminal
- \*Mates with E.N C2505HM Housing



### Ordering Information & Dimensions

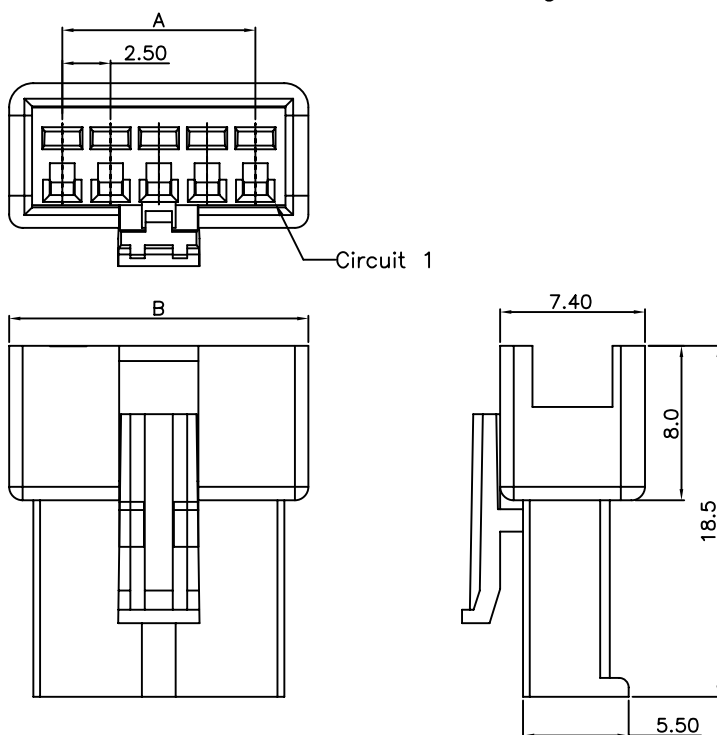
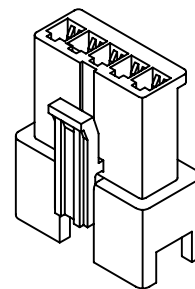
PART NO.	Dimensions		
	A	B	C
C2505HF-02P	2.50	5.50	11.50
C2505HF-03P	5.00	8.00	14.00
C2505HF-04P	7.50	10.50	16.50
C2505HF-05P	10.00	13.00	19.00
C2505HF-06P	12.50	15.50	21.50
C2505HF-07P	15.00	18.00	24.00
C2505HF-08P	17.50	20.50	26.50
C2505HF-09P	20.00	23.00	29.00
C2505HF-10P	22.50	25.50	31.50
C2505HF-11P	25.00	28.00	34.00
C2505HF-12P	27.50	30.50	36.50
C2505HF-13P	30.00	33.00	39.00

Unit: mm

## C2505HM — 2.50mm pitch Housing

### Reference Informations:

- \*Material: Nylon 66,UL94V-0
- \*Suitable E.N C2505F Terminal
- \*Mates with E.N C2505HF Housing



### Ordering Information & Dimensions

PART NO.	Dimensions	
	A	B
C2505HM-02P	2.50	5.50
C2505HM-03P	5.00	8.00
C2505HM-04P	7.50	10.50
C2505HM-05P	10.00	13.00
C2505HM-06P	12.50	15.50
C2505HM-07P	15.00	18.00
C2505HM-08P	17.50	20.50
C2505HM-09P	20.00	23.00
C2505HM-10P	22.50	25.50
C2505HM-11P	25.00	28.00
C2505HM-12P	27.50	30.50
C2505HM-13P	30.00	33.00

Unit: mm