

## Specifications

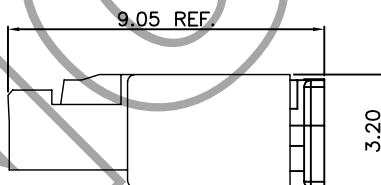
Current rating: 1A AC,DC  
 Voltage rating: 250V AC,DC  
 Temperature range: -25°C ~ +85°C  
 Contact resistance: 20mΩ Max.  
 Insulation resistance: 1000MΩ Min.  
 Withstanding voltage: 500V AC/minute  
 \*Contact E.N for Details\*

## Standards



E473953

## Assembly layout



## Ordering code

C1257M - I B  
 ① ② ③ ④

- ① Series No.
- ② M:Male
- ③ Plating code: T=Tin-plated, G=Gold-flash
- ④ Material: B=Brass

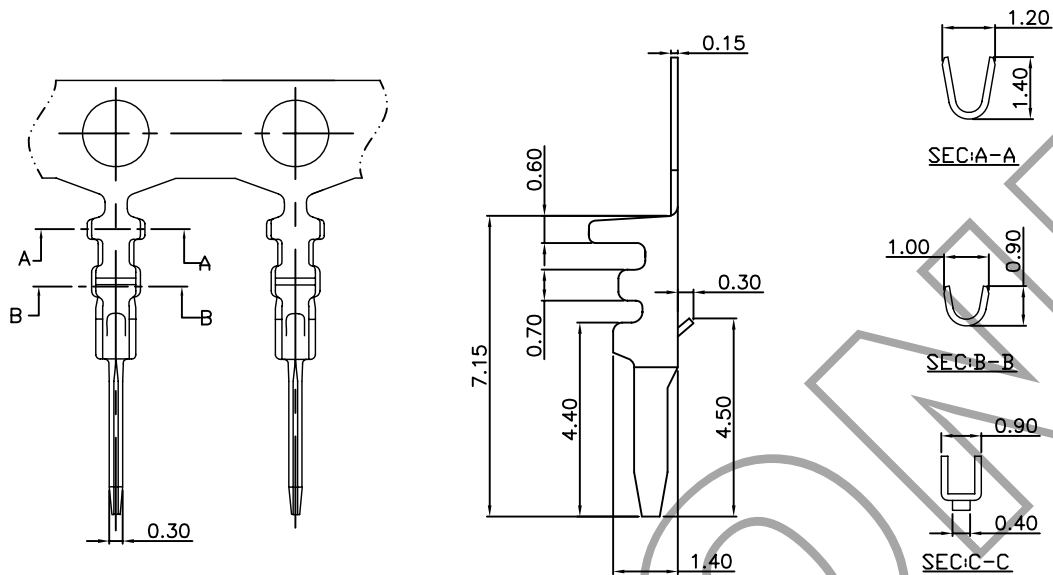
C1257 HF - NP  
 ① ② ③

- ① Series No.
- ② HF=Receptacle
- ③ No. of circuits

## C1257M-T — 1.25mm pitch Crimp Terminal

### Reference Informations:

\*Mates with E.N C1257HF series Housing



### Ordering Information & Specifications

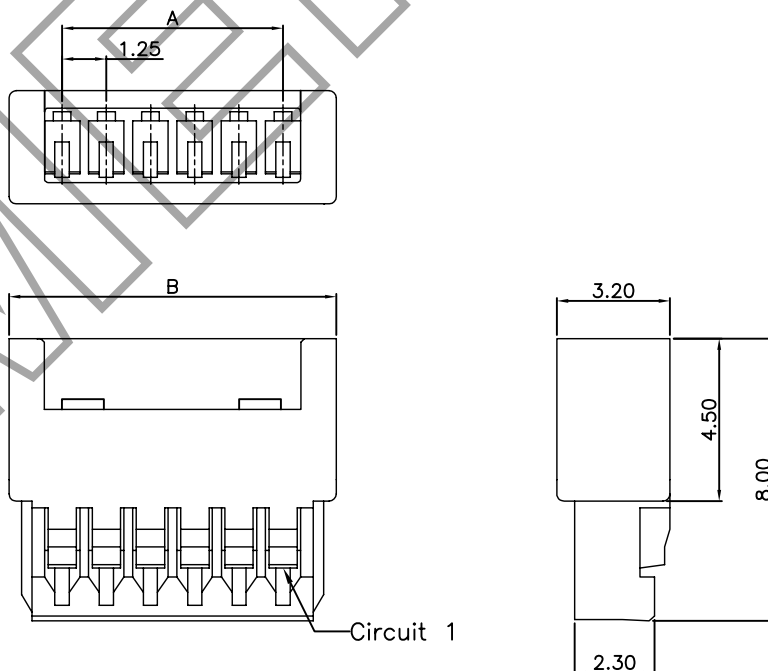
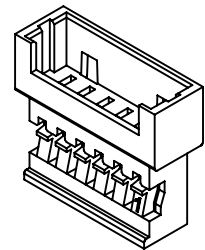
Unit: mm

Part No	Wire Range	Insulation O.D.	Material	Finish	Qty/reel
C1257M-TP	AWG#28-#32	1.00mm(max)	Phosphor Bronze	Tin-plated	10,000pcs

## C1257HF — 1.25mm pitch Housing Plug

### Reference Informations:

- \*Material: Nylon 66,UL94V-0
- \*Suitable E.N C1257M series Terminal
- \*Mates with E.N A1251 series Housing



### Ordering Information & Dimensions

PART NO.	Dimensions	
	A	B
C1257HF-02P	1.25	4.25
C1257HF-03P	2.50	5.50
C1257HF-04P	3.75	6.75
C1257HF-05P	5.00	8.00
C1257HF-06P	6.25	9.25
C1257HF-07P	7.50	10.50
C1257HF-08P	8.75	11.75
C1257HF-09P	10.00	13.00
C1257HF-10P	11.25	14.25
C1257HF-11P	12.50	15.50
C1257HF-12P	13.75	16.75
C1257HF-13P	15.00	18.00
C1257HF-14P	16.25	19.25
C1257HF-15P	17.50	20.50

Unit: mm