

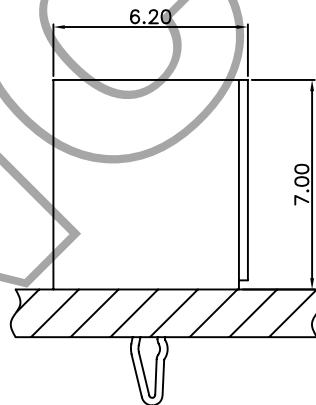
**Specifications**

Current rating: 1A AC,DC(Per Pin)  
 Voltage rating: 125V AC,DC(Per Pin)  
 Temperature range: -40°C ~ +105°C  
 Contact resistance: 20mΩ Max.  
 Insulation resistance: 100MΩ Min.  
 Withstanding voltage: 500V AC/minute  
 \*Contact E.N for Details\*

**Standards**



**Assembly layout**



**Ordering code**

B3961 I X  
 ① ② ③

- ① Series No.
- ② T=Terminal
- ③ Pating:No=Tin G=Gold

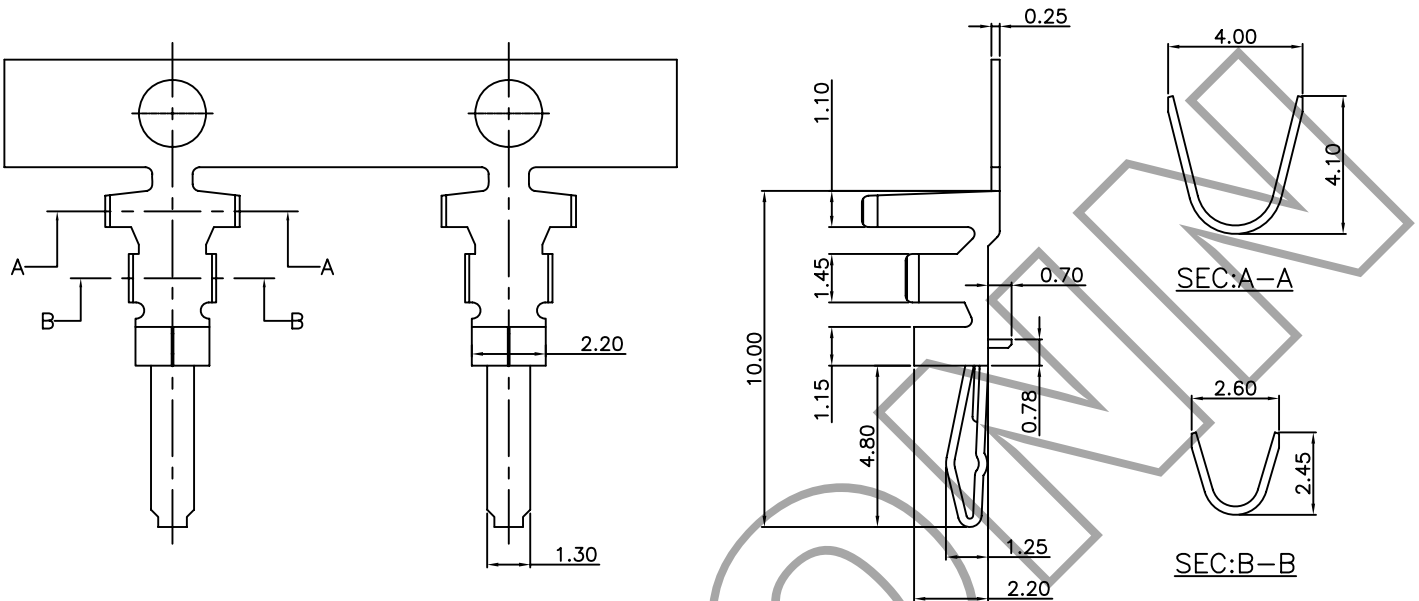
B3961 H-NP  
 ① ② ③

- ① Series No.
- ② Housing Type:H=Housing
- ③ No. of circuits

### B3961-T 3.96mm pitch 180° Crimp Terminal

#### Reference Informations:

\*Used in E.N B3961H Series Housing



#### Ordering Information & Specifications

Unit: mm

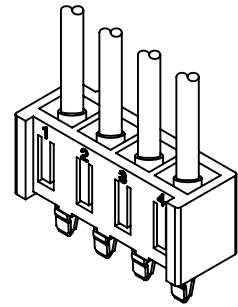
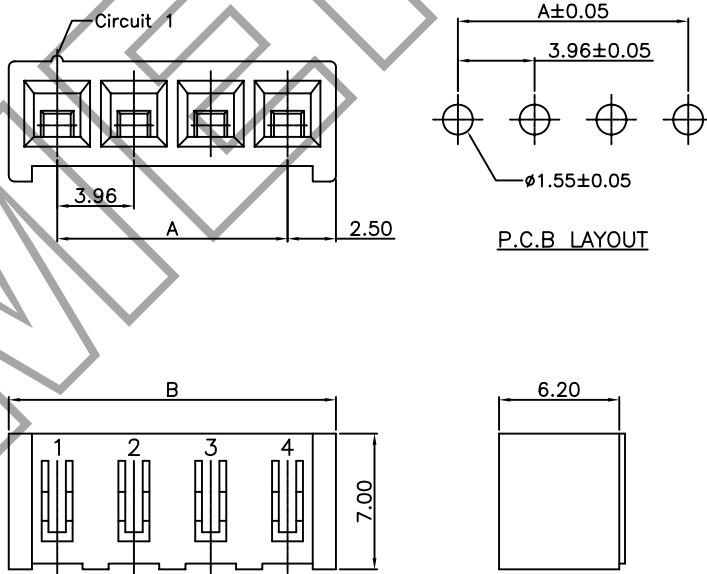
Part No	Wire Range	Insulation O.D.	Material	Finish	Qty/reel
B3961-TP	AWG#18-#22	3.00mm(max)	Phosphor Bronze	Tin-plated	9,000pcs

### B3961H 3.96mm pitch 180° Housing

#### Reference Informations:

\*Material: PA66 UL94V-0

\*Suitable E.N B3961 Series Terminal



#### Ordering Information & Dimensions

PART NO.	Dimensions	
	A	B
B3961H-02P	3.96	8.96
B3961H-03P	7.92	12.92
B3961H-04P	11.88	16.88
B3961H-05P	15.84	20.84
B3961H-06P	19.80	24.80
B3961H-07P	23.76	28.76
B3961H-08P	27.72	32.72
B3961H-09P	31.68	36.68
B3961H-10P	35.64	40.64
B3961H-11P	39.60	44.60
B3961H-12P	43.56	48.56
B3961H-13P	47.52	52.52
B3961H-14P	51.48	56.48
B3961H-15P	55.44	60.44
B3961H-16P	59.40	64.40

Unit: mm